

## JDS/JSB(ALL #316 SST) SERIES



### Feature:

- Non-clogging, minimized abrasive wear, large impeller clearance, and maintenance free

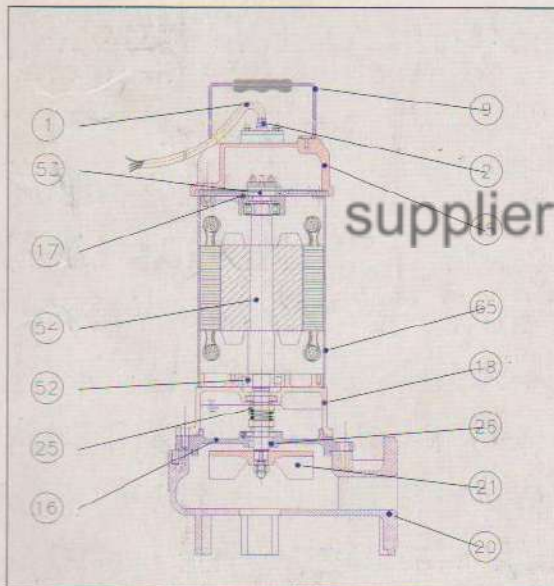
### Application:

- Medium concentration wastewater, heavy duty,
- JSB type is suitable for PH 3~11 waste water.
- JSB type is also for sea water.



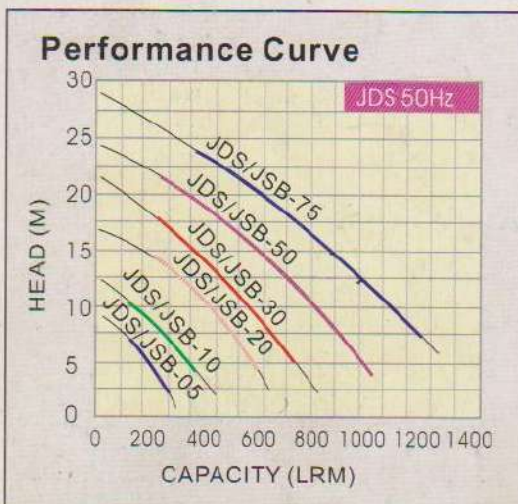
High circulation impeller

### Constructions



NO	PART	MTRL	
		JDS	JSB
1	Cable	VCT	VCT
2	Cable Hood	PVC	PVC
9	Handle	SUS 304	SUS 304
15	Motor Cover	FC 200	SUS 316
16	Seal Housing	FC 200	SUS 316
17	Bracket	FC 200	FC 200
18	Oil Chamber	FC 200	SUS 316
20	Pump Casing	FC 200	SUS 316
21	Impeller	FC 200	SUS 316
25	Mech. Seal	CA/CE (EKK)	Sic/Sic (EKK)
26	Oil Seal	NBR	Viton
52	Bearing	(NTN)	(NTN)
53	Protector	(T.I. / YAMADA)	(T.I. / YAMADA)
54	Shaft	SUS 410	SUS 316
65	Motor Housing	SUS 304	SUS 316

### Specifications



Model	Output	Dis.	Phase	Head	Capacity	Cable
	HP	mm	φ	M	LPM	M
JDS(JSB)-05	1/2	50	1,3	6	150	6
JDS(JSB)-10	1	50 (80)	1,3	9	200	6
JDS(JSB)-20	2	50(80)	1,3	15~10	200~400	6
JDS(JSB)-30	3	50(80)	3	15~11	300~500	6
JDS(JSB)-50	5	80(100)	3	16~10	500~800	10
JDS(JSB)-75	7 1/2	80(100)	3	20~12	500~1000	10

Note1: Automatic models are available in single-phase versions.

Note2: Q.D.C. (Quick Discharge Connection) is applied in all models.